



United States Patents 8151858,8307876
U.S. and Foreign Patents Pending

TECH SUPPORT
Installation Video Library
available online at
LifestyleScreens.com

or **CALL 678-926-9700**

THE MOST VERSATILE GARAGE SCREEN ON THE PLANET

Installation Manual - Owners Manual - Warranty

For Lifestyle Garage Screen Kits: 6'x7', 8'x7', 9'x7', 10' x7', 16'x7, 18'x7', 8'x8', 9'x8', 10'x8', 16'x8', 18'x8'



WARNING: IMPORTANT SAFETY INFORMATION

Read all instructions and the following safety information carefully prior to installation and use. Failure to do so may result in serious injury or death.

Do not install this product if your garage door operator is not equipped with photo-eye sensors, or if it cannot be adjusted so that the door reverses direction when encountering an obstruction with the slightest amount of pressure. If your operator is not equipped with such safety devices, the installer may require you to install a new operator before installing the Lifestyle garage screen. Failure to comply with these directions may result in serious injury or death and or damage to your Lifestyle garage screen, garage door or other property.

Please refer to operator instruction manual for proper adjustment parameters. Do not exceed the operator manufacturer's recommendations for safe adjustment of the operator. Failure to do so may result in serious injury or death. Final adjustment of the operator must comply with operator manufacturer's recommendations. Failure to do so may result in serious injury or death.

Red fasteners on garage door systems are under tension. Do not remove or tamper with any fasteners, screws or bolts that are red in color. Failure to do so may result in serious injury or death.

Moving the screen can cause serious injury or death. Keep people and pets clear of opening when operating the screen. An overhead screen is a large heavy object that moves with the help of springs that are under high tension loads. Since moving objects and springs under high tension can cause serious injuries, your safety and proper operation of the screen depend on you doing the following:

- Keep the screen in full view and free of obstruction when in operation;
- Do not allow children to operate the screen;
- Do not close or operate the screen if people or pets are in the door opening;
- Do not hang or place excessive downward force on the nylon closing straps;
- Do not stand on any object when operating the screen;
- Do not place fingers, hand or other body parts between the screen and the door jambs when operating the screen;
- Do not operate your garage door when the screen is in the closed vertical orientation;
- Do not tamper with or remove the photo eye blocker installed on the screen;
- Check the hardware on the screen at least monthly for worn or broken parts, adjustment and balance.
- Do not operate the screen with broken springs, cables or other parts;
- Repairs and adjustments of the screen should be performed exclusively by a trained professional.

Do not cover over or paint over any warning signs and decals.

Before Installing the Lifestyle Screens garage screen

- The Lifestyle garage screen cannot be installed in combination with a low headroom garage door installation.
- Check for clearances in the following situations: cabinets mounted on the side wall next to the garage door track; entry doors from the home to the garage that open into the garage should clear several inches below the garage door tracks or away from the tracks, any side doors next to the garage door should not interfere with the Lifestyle screen tracks.
- Ensure that the garage door is completely out of the opening and secured from closing. Raise the garage door well beyond the vertical opening and clamp with vise grips to hold the garage door in place.
- Disengage the garage door operator arm.
- Once the Lifestyle screen is installed, you may need to adjust the travel on the operator and/or the operator J-Bar may need to be cut down and/or assembled in a different set of holes. This is to ensure that the operator arm does not hit the Lifestyle screen during operation of the garage door.

TOOLS REQUIRED FOR ASSEMBLY

Safety Glasses or Goggles	Hammer or Rubber Mallet	Phillips Screw Driver	Tape Measure
**Cordless Drill (see Notes below)	Vise Grips or C-Clamps	Socket Sizes: 7/16", 1/2", 9/16"	Spline Insertion Tool
5/16" and 7/32" Drill Bits	Saw Horses	Wrench Sizes: 7/16", 1/2", 9/16"	
1/4 " Hex Drive Bit	Utility Knife	4"+ Socket Extension (optional)	

Notes: ** Frame members are pre-drilled so references to drilling of the screen frame in the instructions may be redundant and may be disregarded. Some drilling of the track members may be required.

MAINTENANCE AND CARE FOR YOUR LIFESTYLE SCREEN

Your Lifestyle garage screen is a sturdy, durable and easy to use product. However, for optimum performance over the long run it is recommended that periodic maintenance as described below be performed.

- Use dry silicone spray to lube various points: rollers, top and bottom track of the center retractable passage door and the center bolt of the black pulley on the tight radius track curve. Avoid spraying any type of lube on the cable and pulleys.
- Periodically vacuum out any debris caught in the bottom guide rails of the middle retractable passage door
- Before raising your Lifestyle garage screen from the vertical closed position to the horizontal open position it is recommended that you open the center retractable passage door into the screen canister.
- Always store your Lifestyle garage screen with the center retractable passage door in the rolled-up open position.
- To keep the screen mesh material clean use only a mild detergent with a sponge and hose down with water.
- When moving your Lifestyle garage screen from the horizontal position to the vertical position, do not push up on the screen frame so as to avoid hitting the magnets that are installed on the top horizontal of the Lifestyle garage screen frame against any part of the garage door such as the back of the panels, any reinforcing bars installed on the back of the garage door frame, and the bottom edge of the garage door.

OPTIONAL FEATURES AVAILABLE FOR YOUR LIFESTYLE GARAGE SCREEN

Your Lifestyle garage screen comes with the following optional features:

- Vinyl Sliding Bolt Locks for the center retractable passage door
- Pet blocker for use with the center retractable passage door to impede pets from passing under the loose bottom end of the mesh
- Metal Bolt Locks for the Lifestyle garage screen frame
- Clear All-Weather Vinyl Cover for use to prevent flow of outside air into the garage on very hot or cold days. Allows for heating and air-conditioning of the garage

KIT CONTENTS

FRAME BOX

Item #	Qty.	Description
1	4	Frame Verticals 79.0625"/91.0625" for 7'/8' Models
2	2	Frame Horizontals 8'/9'/10'/16'/18' Wide
3	1	Weather Strip (Pre-Installed on Frame)
4	1	Bottom Door Seal Astragal

SCREEN & TRACK BOX

5	1	GENIUS Milano Retractable Passage Door
6	1	Screen Material
7	1	Spline 64' Length
8	2	Vertical Track
9	2	Horizontal Track
10	2	2' Length 1 1/4" Perforated Angle
11	2	Nylon Straps
12	2	Springs (located in Screen Material tube)
13	1	Push Pole Assembly (for 8' H Models only)

HARDWARE BOX

14	2	Tight Radius Track Curve
15	4	Jamb/Track Brackets
16	2	Cables 3/32" 7 X 7 X 342" (rolled together)
17	1	Bottom Wheel Bracket Assembly LH
18	1	Bottom Wheel Bracket Assembly RH
19	1	Top Wheel Bracket Hinged Assembly LH
20	1	Top Wheel Bracket Hinged Assembly RH
21	1	Warning Labels
22	1	Installation Manual - Owner's Manual
B-1	1	Frame Bag
B-2	1	Track Bag
B-3	1	Counterbalance Bag

FRAME BAG (in Hardware Box)

Item #	Qty.	Description
23	16	Frame Assembly Screws 4" Long
24	1	Photo Eye Shield
25	4	2" Square Black End Plugs
26	8	Backer Plate
27	16	1/4-20 X 1 TEK
28	2	5/16-18x1 Hex Bolt
29	2	5/16-18 Hex Nut
30	4	2" Weather Strip
31	2	18 lb Pull Force Magnets
32	4	#6-32 X 5/16 Pan Head Phillips
33	4	#6-32 Hex Nut
34	4	#6 Flat Washers

TRACK BAG (in Hardware Box)

35	14	1/4-20 X 5/8" Track Bolt
36	18	1/4-20 Serrated Flange Nut
37	4	5/16-18 X 1-5/8 Lag Bolt
38	2	1/4-20 X 3/4 Hex Head Bolt
39	2	1/4-20 X 1" Track Bolt
40	2	3" Sheave 3/8" Bore

COUNTER BALANCE BAG (in Hardware Box)

41	2	1-1/4 X 1-1/4 X 3" Perf.
42	4	3" Sheave 3/8" Bore
43	2	3" Sheave Strap
44	2	3 Hole Cable Clip
45	2	S-Hook
46	4	5/16-18 X 1-5/8 Lag Jamb Bolt
47	4	3/8-16 X 1-1/2 Hex Head Cap Bolt
48	4	3/8-16 Hex Nut
49	2	1/4-20 Serrated Flange Nut
50	2	1/4-20 x 5/8" Track Bolt
51	2	5/16-18X1" Hex Bolt
52	2	5/16-18 Hex Nut

HARDWARE BOX PARTS



Frame Bag

Track Bag

Counterbalance Bag



Instruction Manual



Jamb Bracket



Cables



Tight Radius Curve Front



Top Wheel Brackets LH & RH



Tight Radius Curve Back



Bottom wheel Brackets LH & RH



Safety Labels

FRAME BAG PARTS



4" Long Frame Assembly Screw



1/4-20x1 TEK Screw



5/16-18x1 Hex Bolt



5/16-18 Hex Nut



Backer Plate



2" Square Black End Plug



Photo-eye Shield



#6 Washer



#6-32 Hex Nut



#6-32 PH Philips

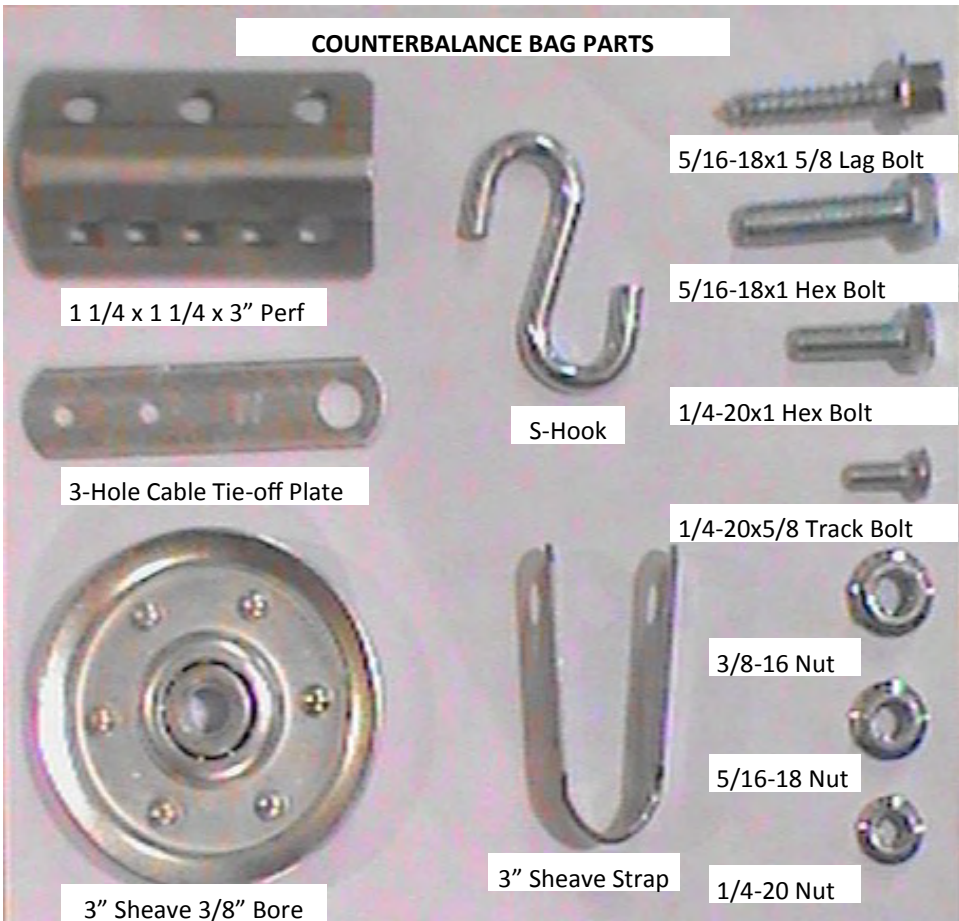


18 lb Magnet

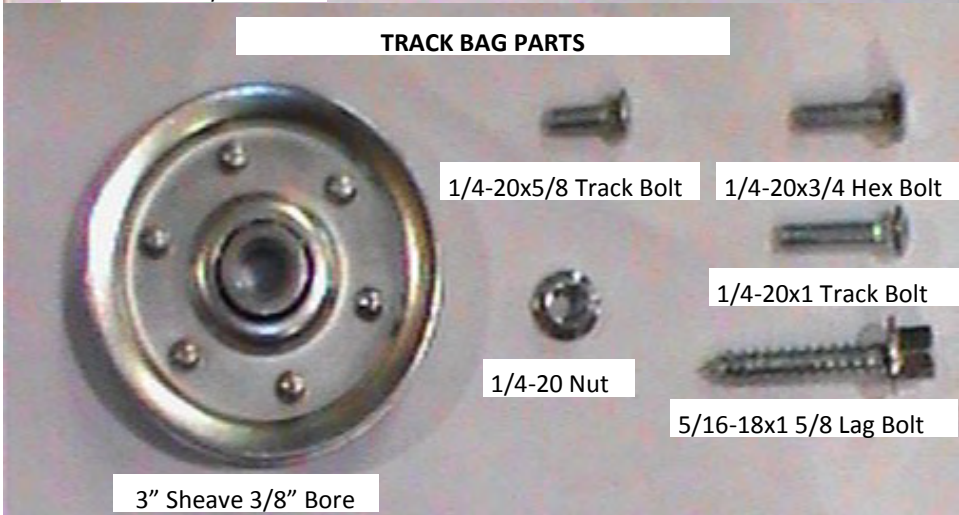


2" Weather Strips

COUNTERBALANCE BAG PARTS



TRACK BAG PARTS



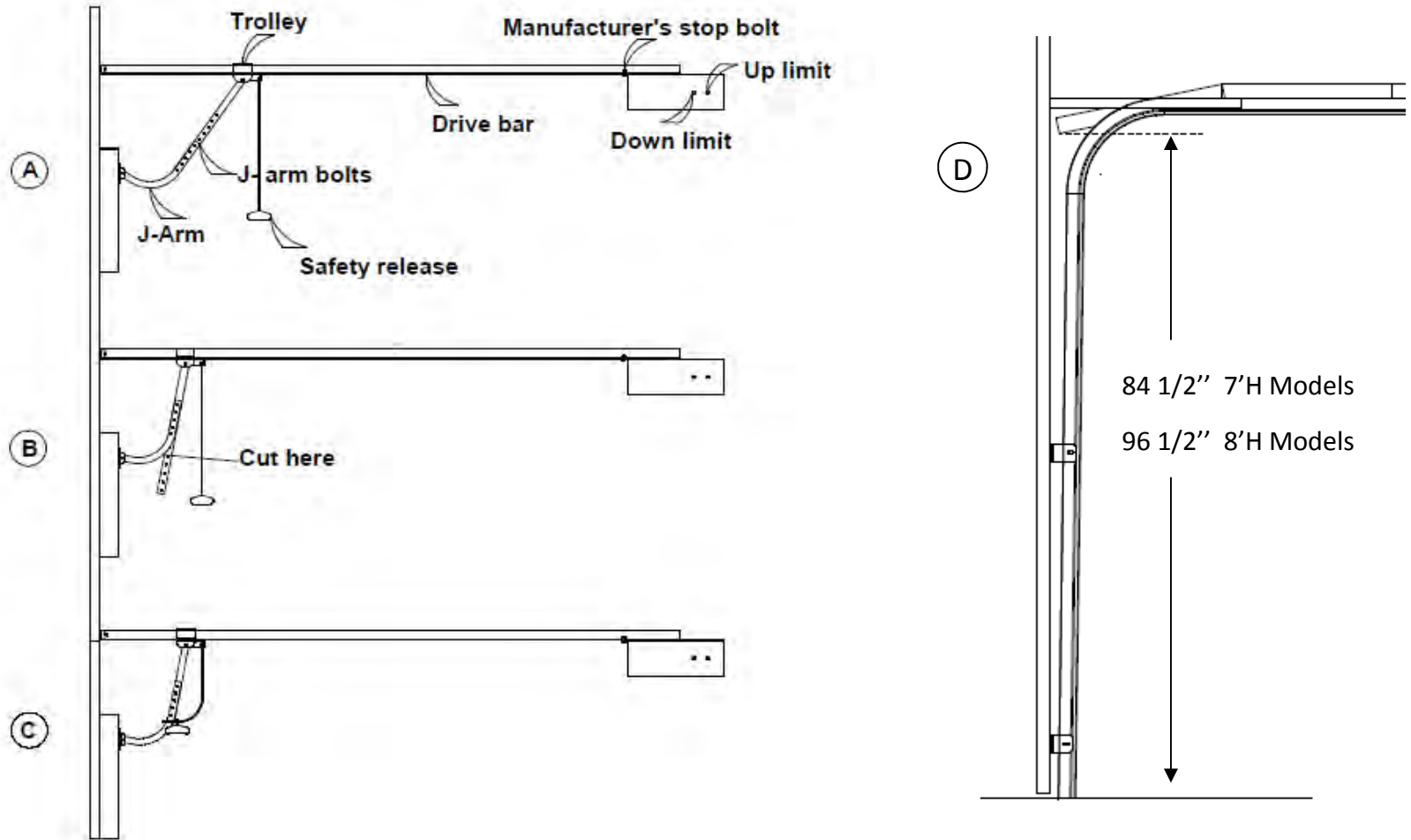
SCREEN & TRACK BOX



FRAME BOX

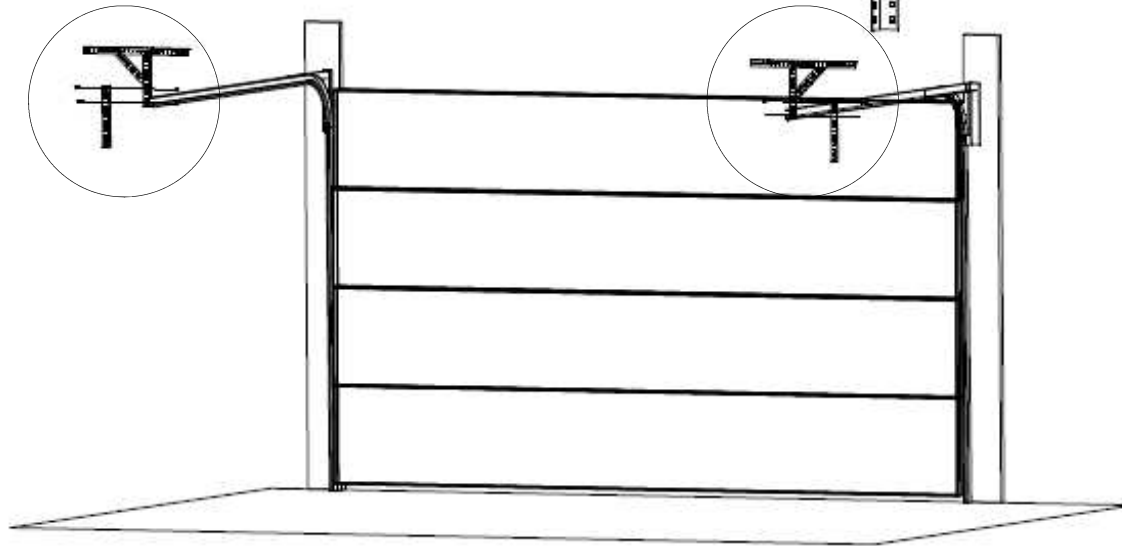
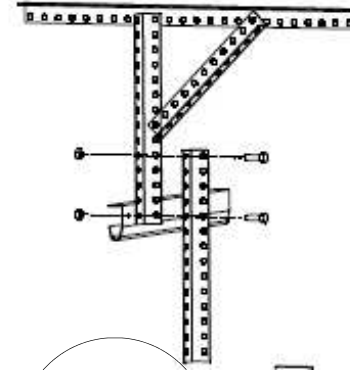
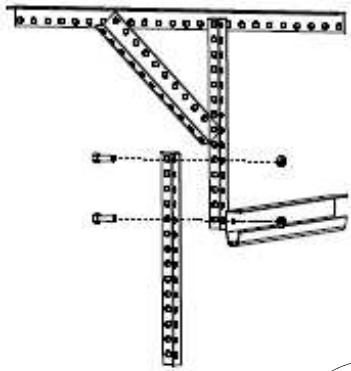


1



1. Adjust up-limit on garage door opener shown in –A so the trolley stops 1/2'' before hitting the stop bolt, if the 84-1/2'' clearance required to install 7'H Lifestyle is achieved skip to step #5.(See D) (96 1/2'' is required for 8'H models)
2. Remove the J-arm bolts shown in –A and pull the safety release to disengage the trolley, slide the trolley forward toward the door jamb until it is almost level and reinstall bolts into J-arm. This will shorten the J-arm about 2''.
3. Reset the down limit until the garage door seals to the floor.
4. Cut excess off of the straight portion of J-bar shown in B.
5. Tie off handle to J-arm shown in C

2

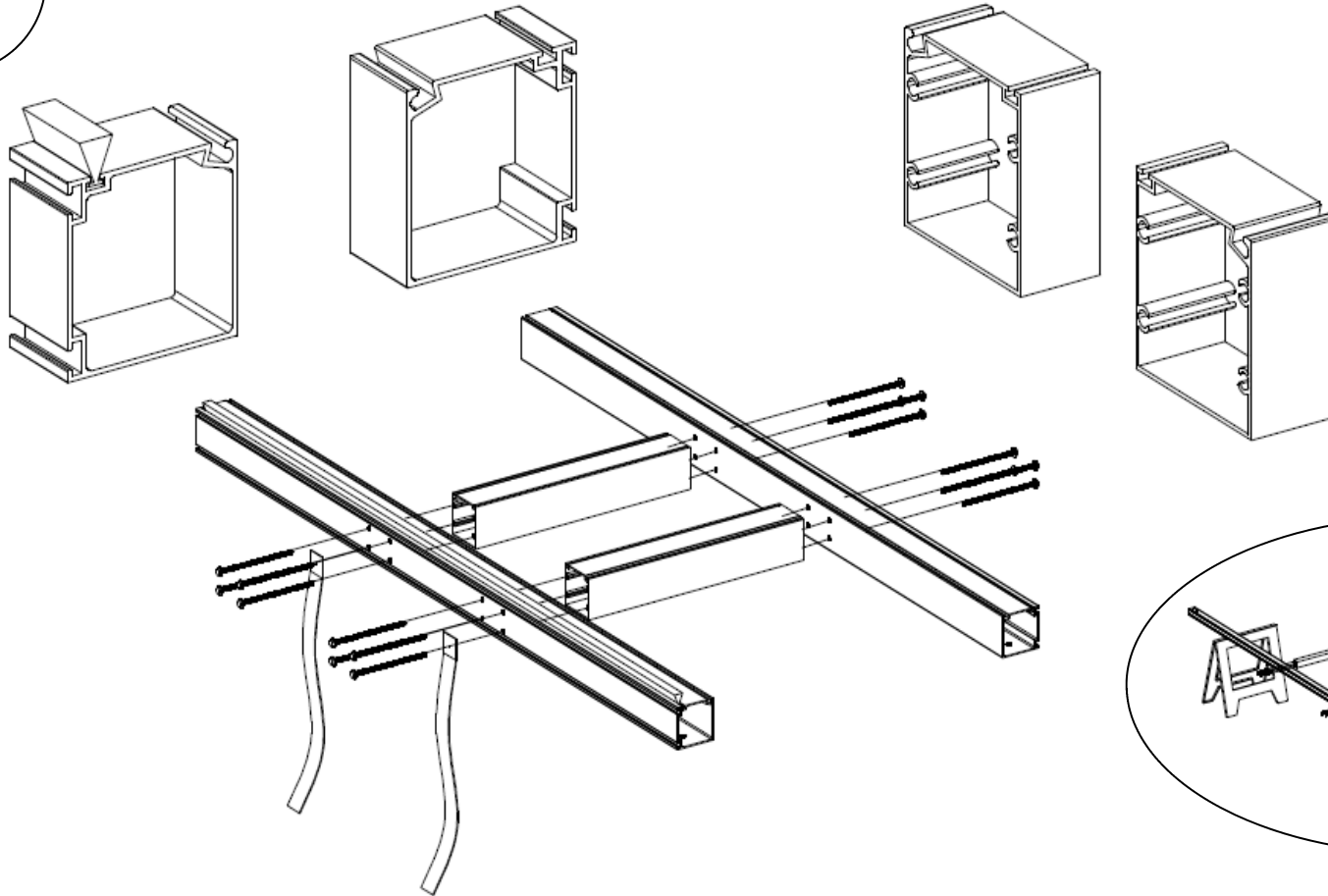


- 1. Open only the frame bag at this time.**
2. Lower the garage door to take the load off of the primary tracks.
3. Remove the bolts that connect the primary tracks to the existing back hang, install 2' Lifestyle perforated angle using existing bolt and the 5/16"x 1" bolt found in the frame bag.

3

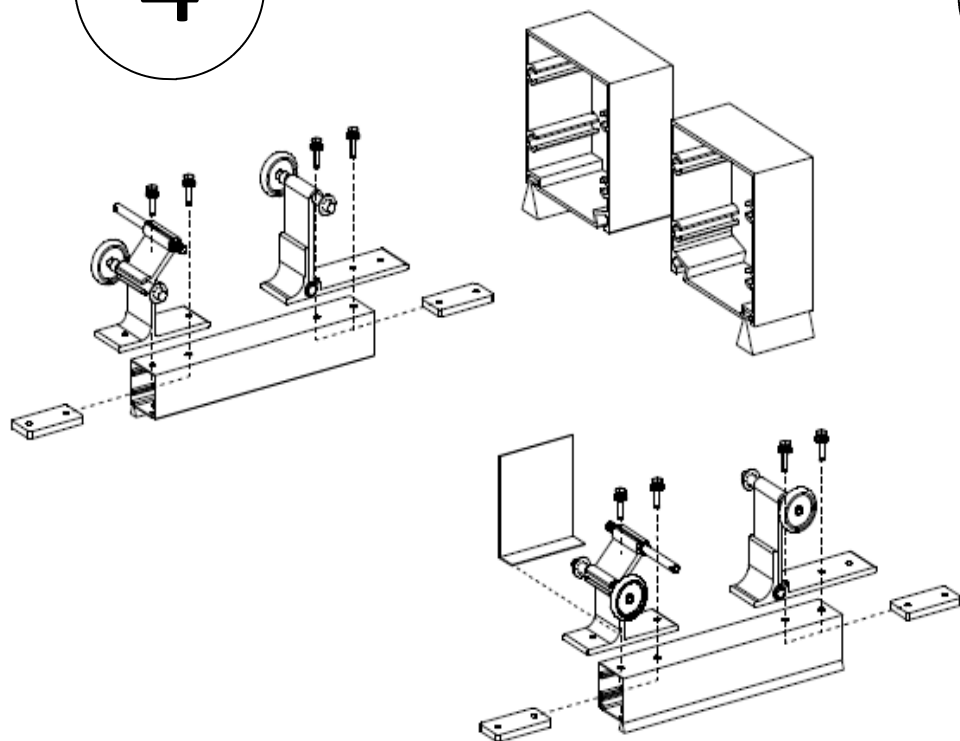
Horizontal extrusions

Vertical extrusions

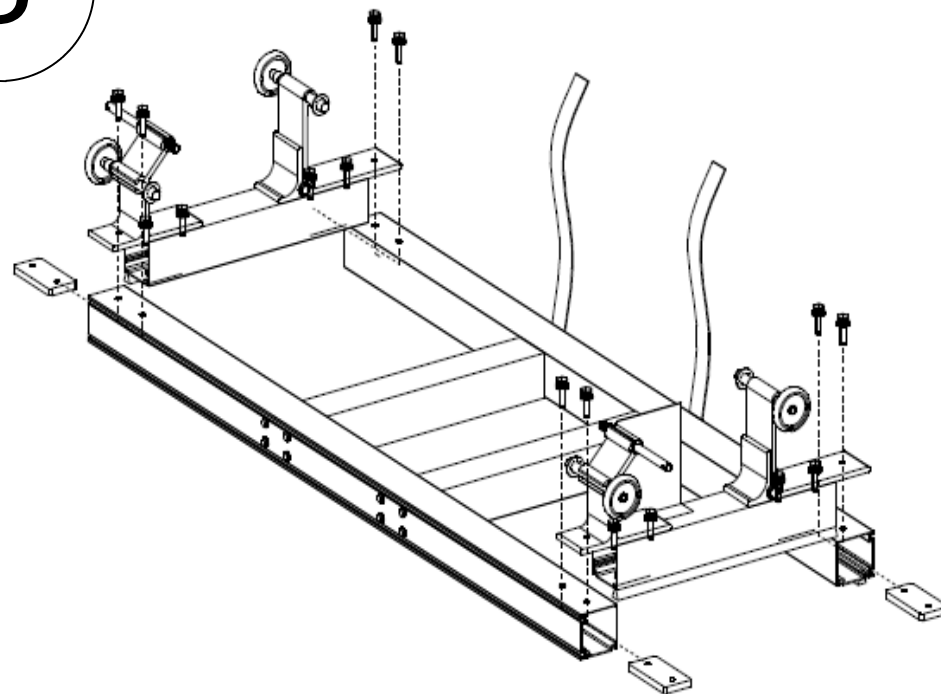


1. Four saw horses are highly recommended to assemble the Lifestyle frame
2. Arrange the extrusions as shown above.
3. Fasten the four frame members together with 16—4" screws using a 1/4" magnetized nut driver.
4. Fasten the nylon straps with two of the frame screws using the two outer holes closest to the back of frame .

4



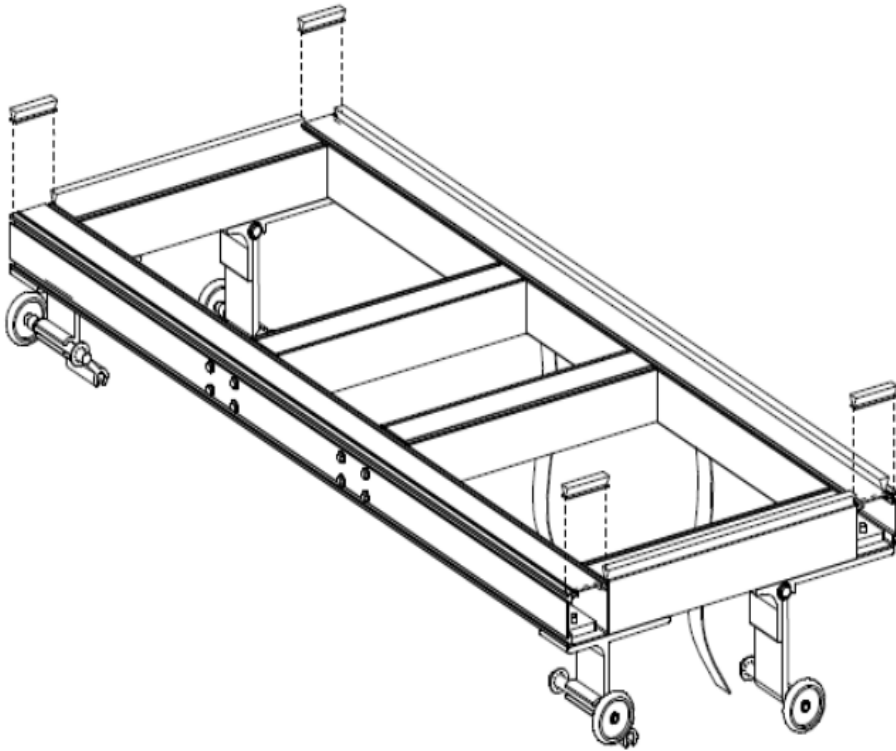
5



4. Arrange the two vertical frame members so the pre-installed weather stripping is on the outer edge and facing down. Insert the backer plates at each end of frame members and attach wheel brackets using the $\frac{1}{4}$ -20x3/4" flanged head bolts found in the frame bag. The black plastic photo eye shield will slide between frame and bracket before doing the final tightening.

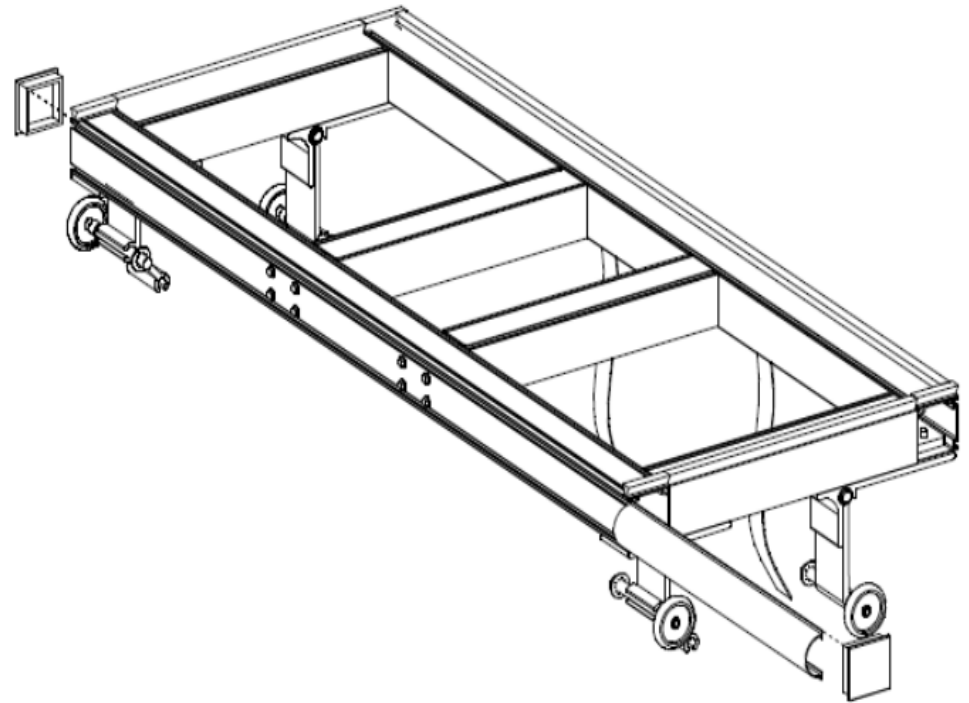
5. Attach wheel brackets to the ends of the horizontal frame members by inserting backer plate and fastening with $\frac{1}{4}$ -20x3/4 flange head bolts found in frame bag. Before tightening make sure wheel brackets are flush with the outside of frame –Top, bottom and side.

6



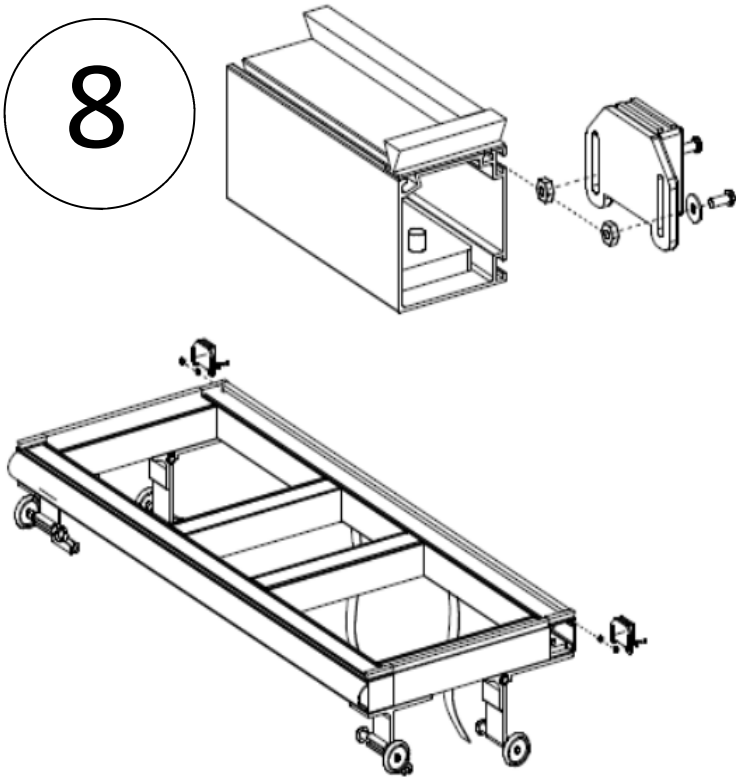
6. Flip frame over so spline grooves are facing upward and apply the four 2" 3M weather seals flush with the ends of the horizontals

7

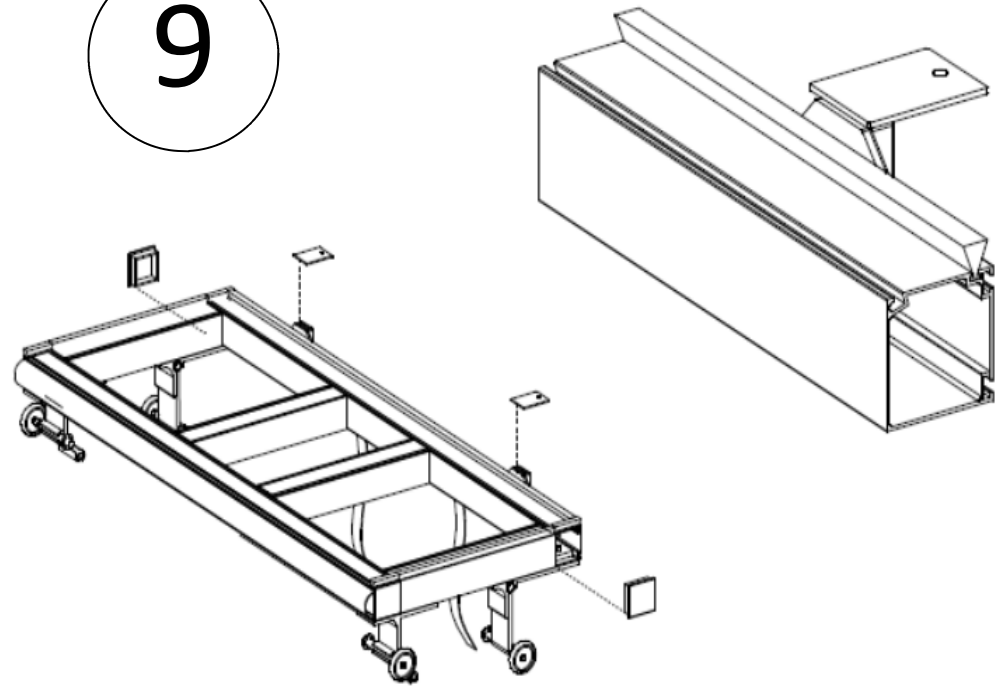


7. Spray the t-slots at the bottom of the door lightly with silicone spray and install the rubber astragal the entire length. Cut astragal about an 1 1/2" long and force the excess into the slots and then install 2" black end caps at each end.

8



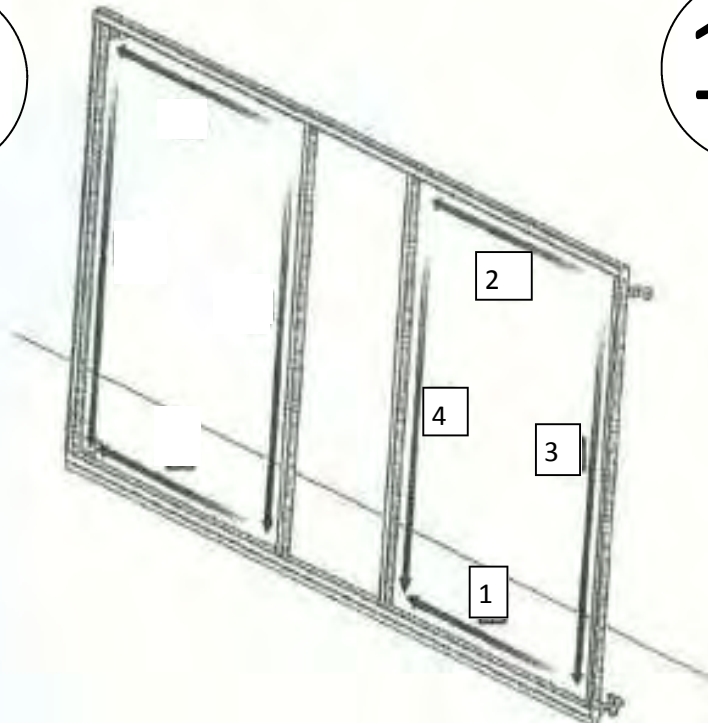
9



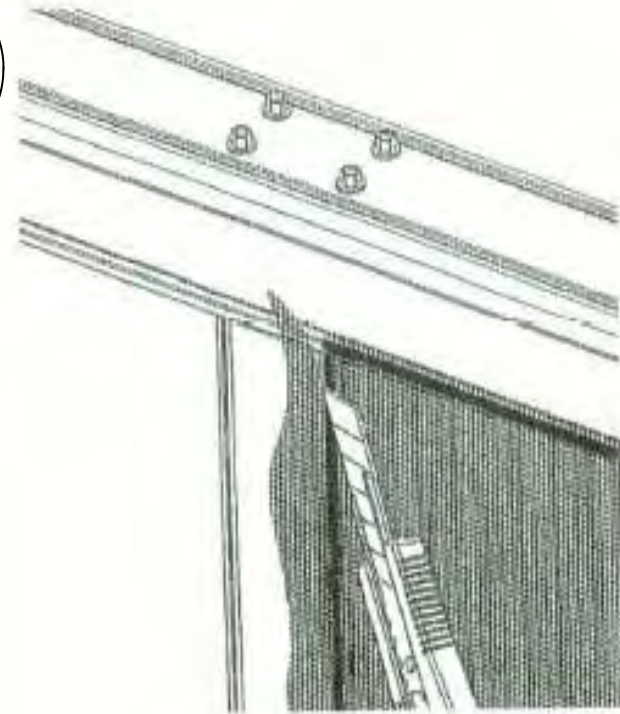
8. Assemble the magnets as shown above: Insert the nut into the upper t- slot and slide the magnet to the center of screen bay then tighten.

9. Insert 2" end plugs at the ends of top horizontal using a hammer and attach striker plate to magnet before putting the Lifestyle door into opening.

10



11



10. Position the screen mesh so that it is flush with the bottom outer edge of frame and past the vertical by at least 2", begin rolling the screen from right to left working in 6" intervals making sure the screen stays flush with the frame (See 1 above). Pull the other end of screen toward the top of frame making sure the margin of the screen is parallel with the vertical frame member, then roll the spline again from right to left working in 6" intervals (See 2 above) and keeping the screen taut. Repeat these steps for 3 and 4 above. Rolling each from top to bottom in turn.

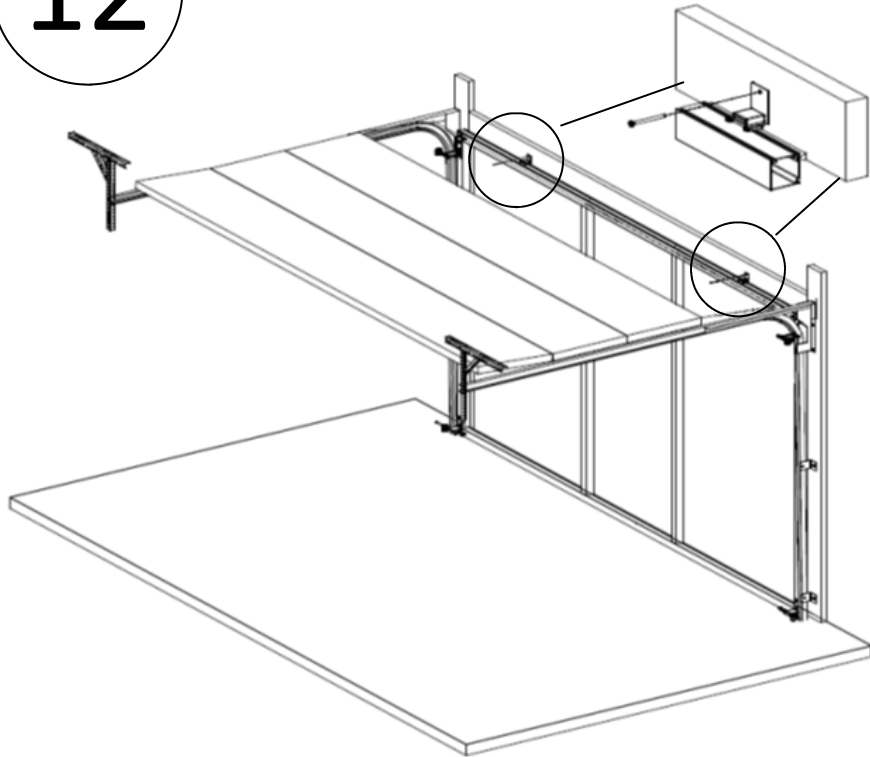
11. Trim the screen by dragging the tip of the utility knife on outer edge of spline groove and applying medium pressure. **Always** use a sharp blade when trimming screen and be sure that you trim the edge to the outside of the screen bay.

Want to see more on screening?

Visit: www.YouTube.com/LifestyleScreens and click on the screening made easy video or contact your sales rep.

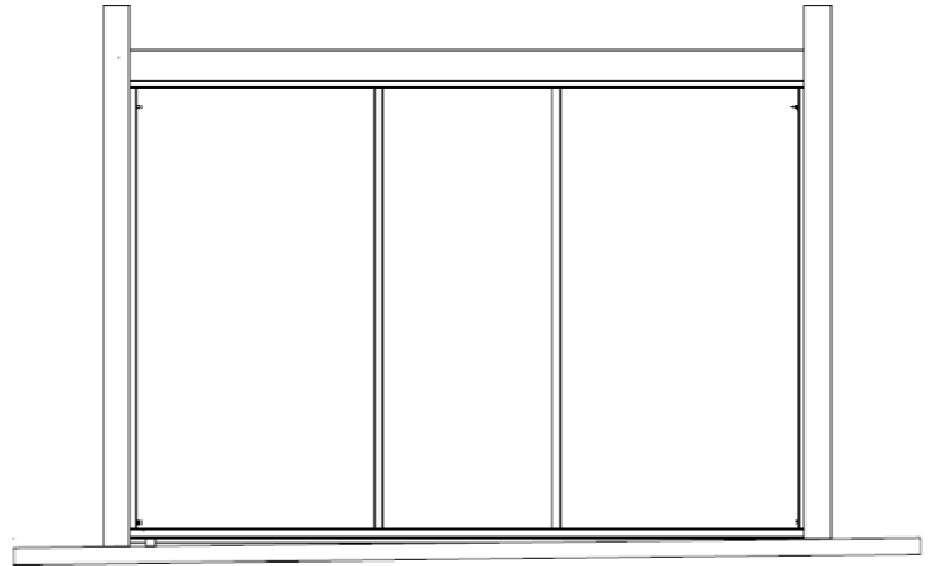
We recommend strongly that you watch this video.

12



12. Center the screen frame between primary tracks and fasten the striker plates using 1 1/2" wood screw found in frame bag .

13

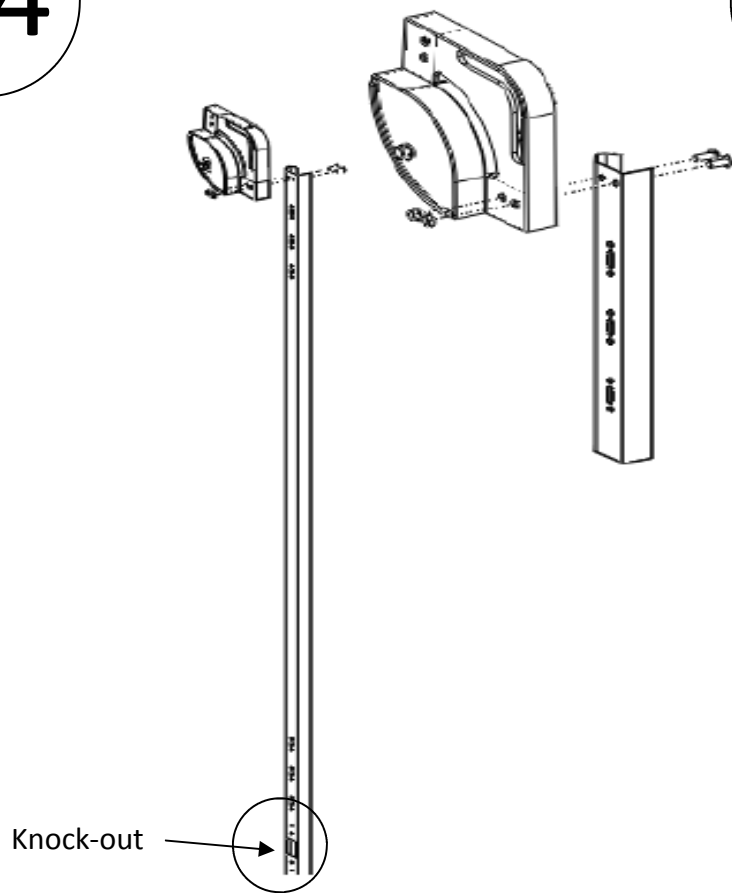


13. Level the screen frame with the opening, making sure you have the same margin across top. If frame is not level, shim the low side as shown above.

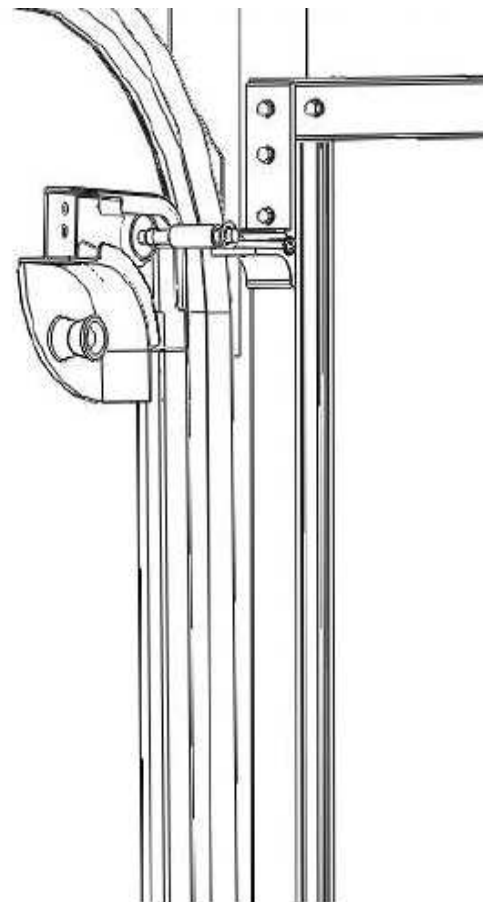
The bottom seal will fill this area when shim is removed .

Note: this must be done before installing tracks

14



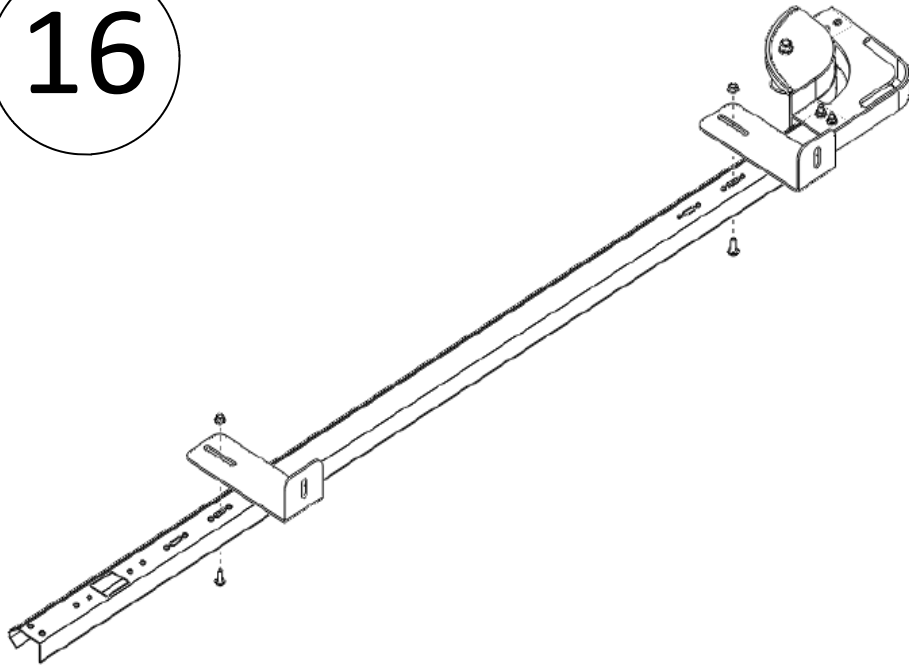
15



14. Open the track bag next and bolt track curve to the vertical track using 5/8" track bolts and 1/4" serrated nuts. Make sure the track knock-out hole is located at the opposite end, that will be closest to the floor. Remove the knock-out using a hammer and screwdriver.

15. Hang the track curve and vertical on the top wheel bracket and mark one hole at the top and one hole at the bottom this will ensure that there is no interference when installing the Lifestyle jamb brackets.
Note: if track curve doesn't hang on the wheel, the vertical track should be trimmed at the bottom.

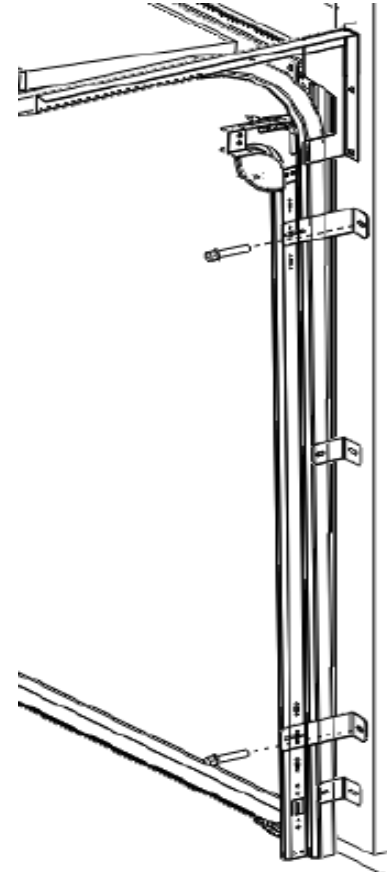
16



16. Bolt jamb bracket to vertical track using the 5/8" track bolt and 1/4" serrated nut found in the track bag.

Note: Hand tighten bolts

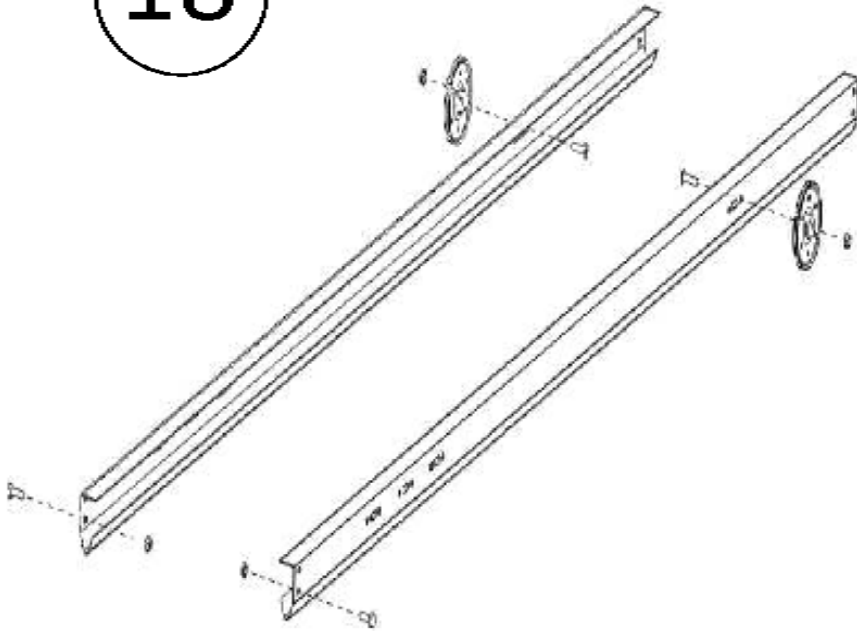
17



17. Slide the track on to the wheels , make sure jamb brackets are against primary track and fasten jamb brackets to jamb using the 1.5" lag bolts found in track bag. Slide the track curve up against the primary track and tighten top track bolt.

Most important for bottom bracket: Slide the door toward the jamb until the weather-stripping just touches the jamb and tighten bottom track bolt.

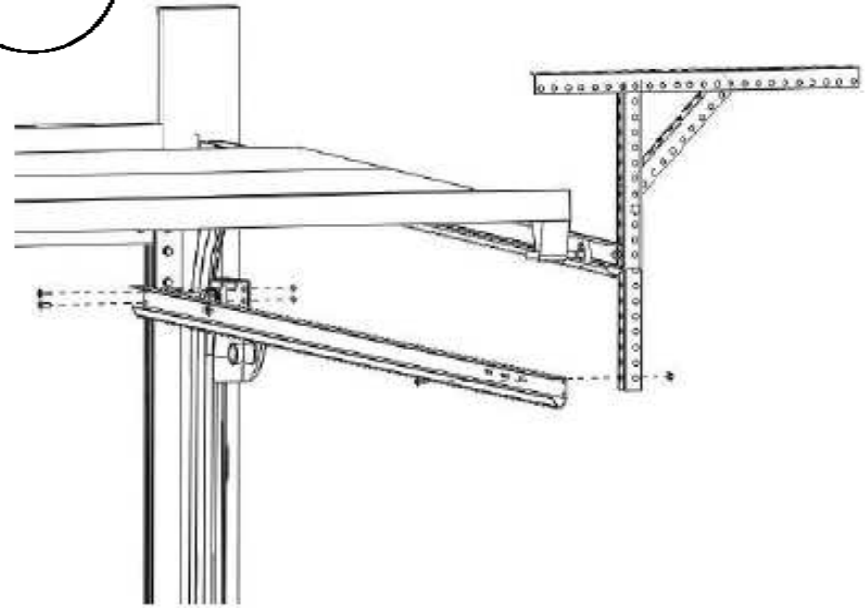
18



18. Arrange the horizontal tracks so that they are opposite pairs. Bolt one 3" sheave to each horizontal track. Use the 1" track bolts and 1/4-20 serrated flange nuts from the track bag. The 3" sheaves are mounted to the holes located 17" from the end of the track.

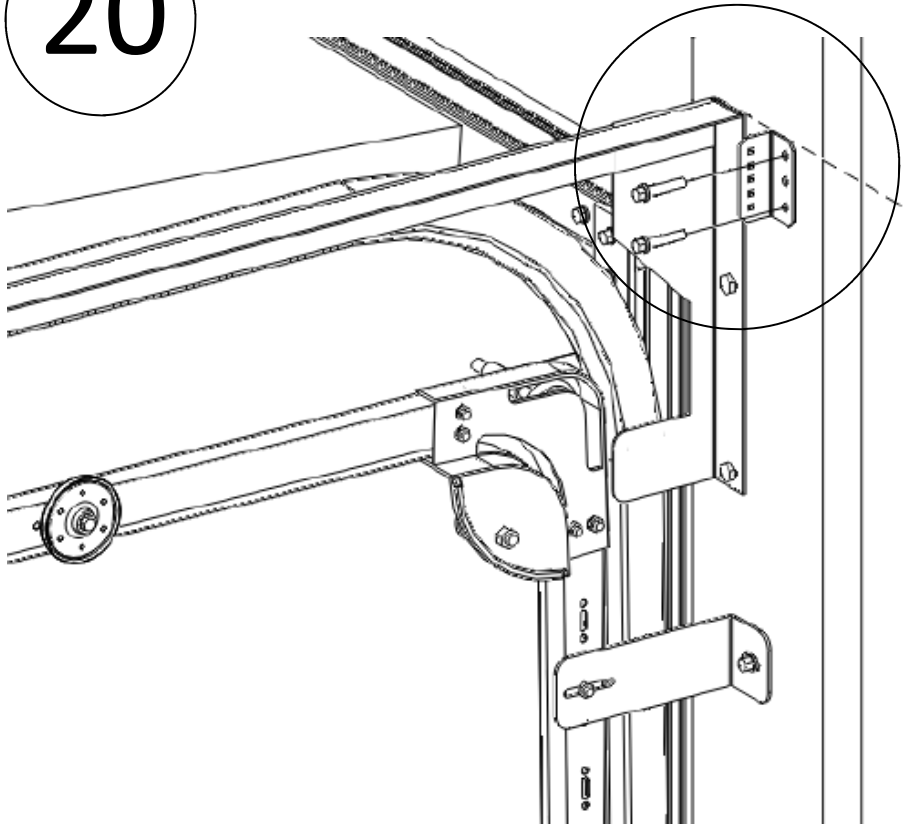
Install the 1/4-20x3/4" hex bolts as stop bolts at the end of the track furthest away from the sheaves with the threads of the bolt and the nut on the inside of the track.

19



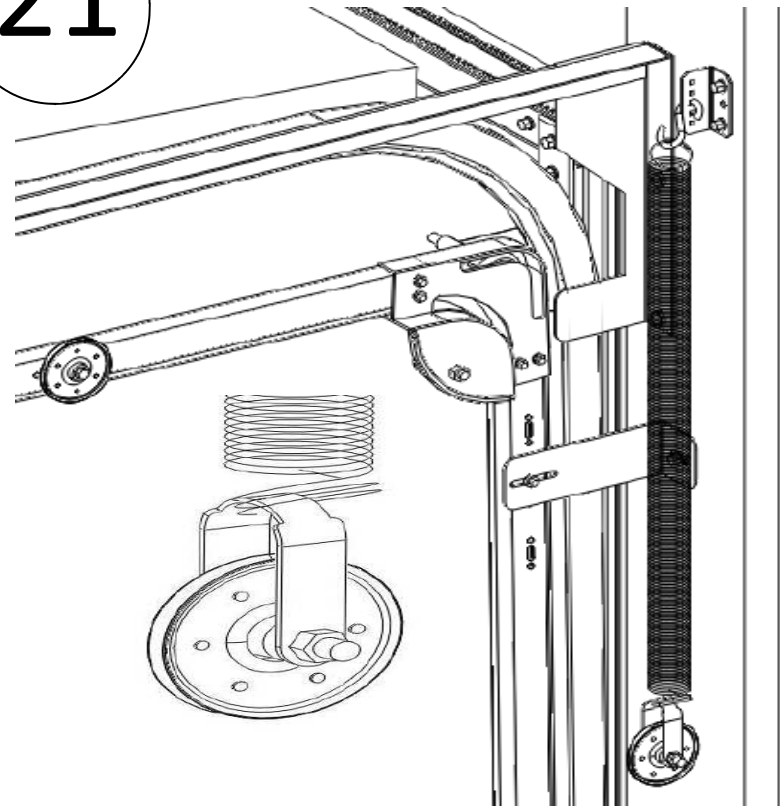
19. Bolt the horizontal track to the tight radius track curve and the Lifestyle perforated angle. Use 1/4-20x5/8" track bolts and 1/4-20 serrated flange nuts. Cut excess perforated angle flush with the bottom edge of the horizontal track. **NOTE:** the distance between the primary track and the Lifestyle track varies depending on the type of j-arm, so it is best to trim the excess perforated angle after you have verified sufficient clearances.

20



20. Open the counter balance bag next. Position the spring bracket where it is even with the horizontal angle of the primary door and a 1/2" away from the vertical flag bracket as shown above. Fasten with 5/16" x 1.5" lag bolts found in counter balance bag.

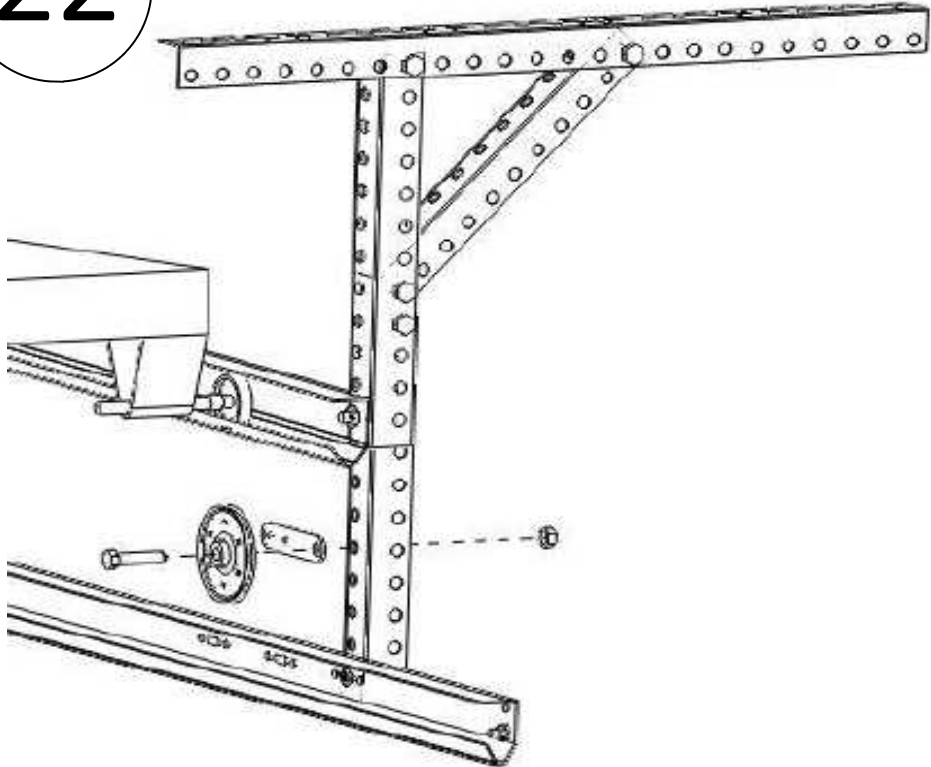
21



21. Position the sheave fork through the eye of the spring and attach the 3" sheave using the 1.5" x 3/8" bolt and 3/8" nut found in the counter balance bag. Position the s-hook through the opposite end of the spring and hook it into the center hole on the spring bracket.

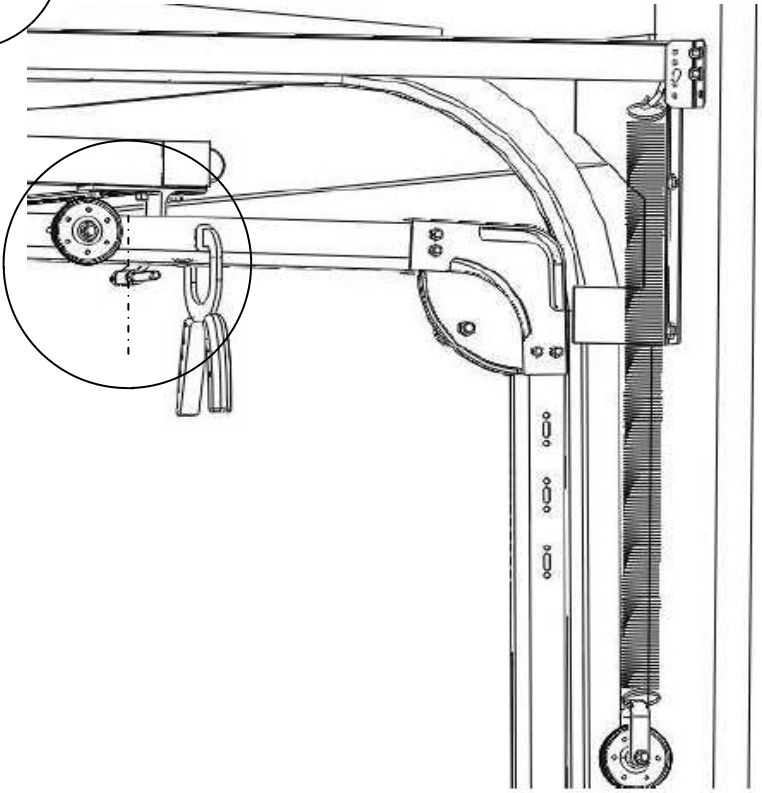
Note: When hanging the spring make sure the nut and the longer portion of bolt are facing outward.

22

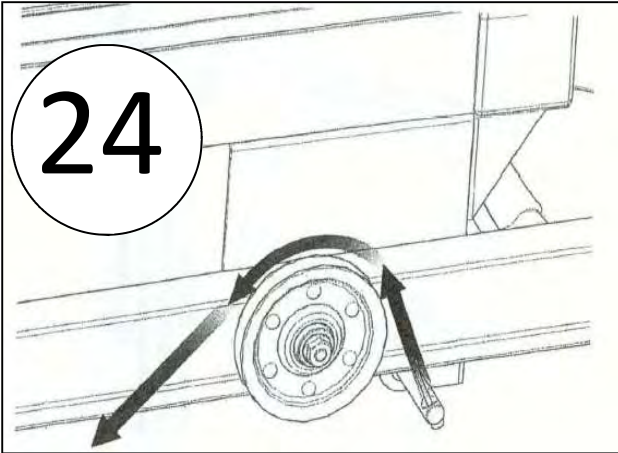


22. Place 1.5"x 3/8" bolt through the 3" sheave, then through the tie off plate and attach these to the Lifestyle perforated angle by using a 3/8" nut found in the counter balance bag.

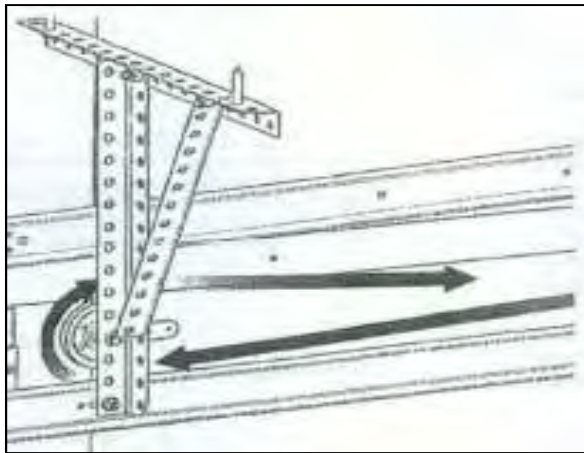
23



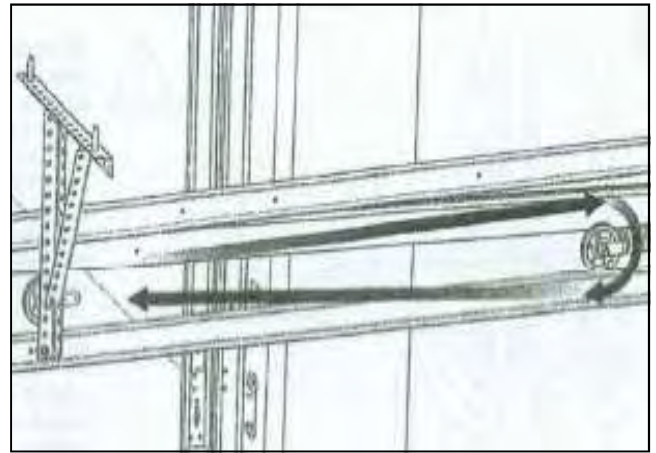
23. Lift the door to it's horizontal position and push the door back until the cable pin is even with the front of the 3" sheave, then place a clamp in front of the roller to hold the frame in this position while the cables are being routed. **Note: If necessary adjust the position of the e-clips on the cable pin so that the hole on cable pin lines up with the vertical center of 3" sheave.**



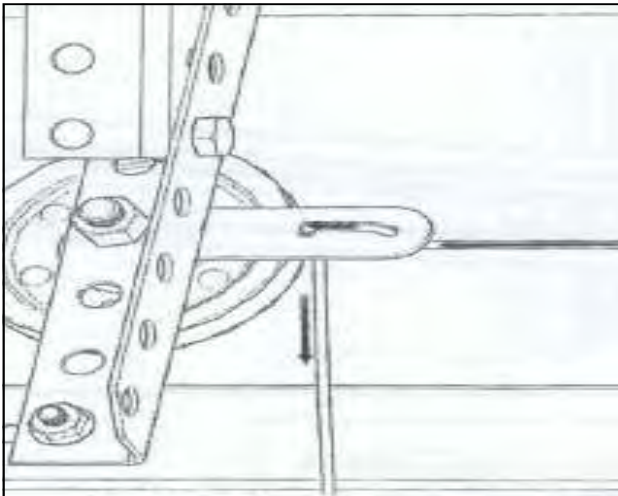
1. Route the cable through the bored side of cable pin and over the 3" sheave. Pull the cable until the cable stop is seated into the bore.



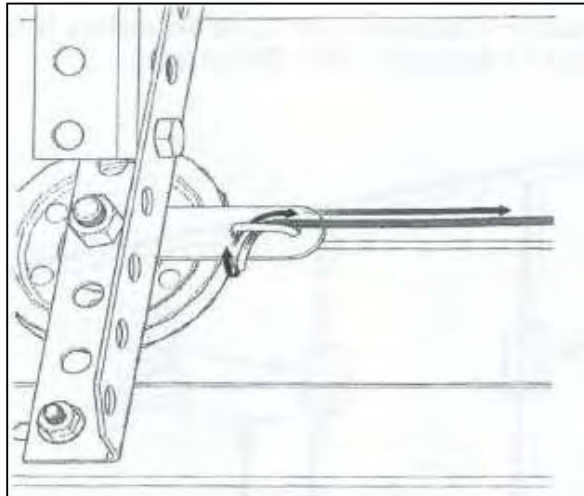
2. Route the cable under and over the back 3" sheave and proceed to the front.



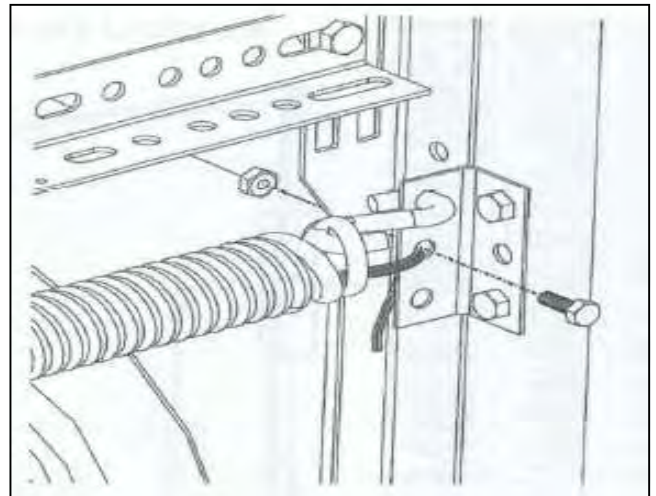
3. Route the cable over and under the 3" sheave that is attached to spring with the nut and the long portion of bolt facing outward.



4. Route the cable through the first hole of the tie off plate then back into the second hole, then set required spring stretch that the manufacturer's have supplied in manual.

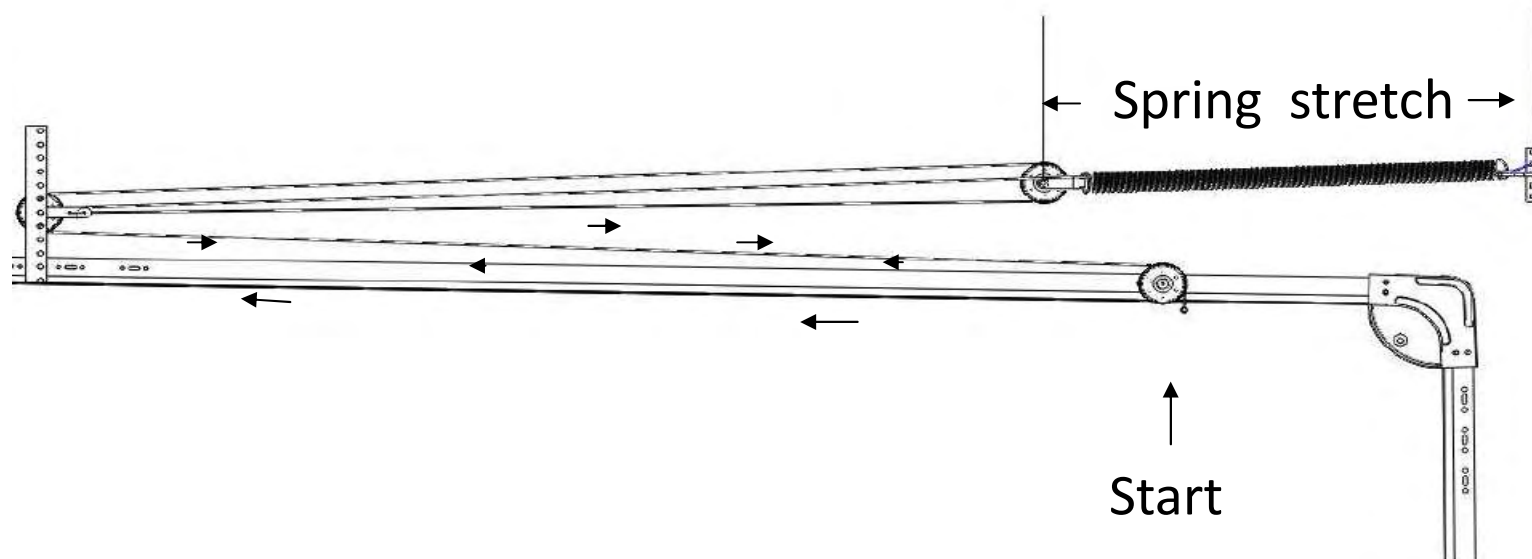


5. Route cable under the tie off plate then through the pinch loop. Route the remaining cable through the center of the spring.



6. Tie the cable off to the spring bracket using 1/4" x 3/4" bolt and 1/4" serrated flange nut.

Lifestyle spring stretch chart for 7' and 8' models



These are the manufacturer's suggested pre-stretches for the specific springs supplied in each Lifestyle Screens kit.

With the center retractable door

7' Models	Stretch	8' Models	Stretch
6' x 7'	33"	8' x 8'	46"
8' x 7'	34"	9' x 8'	47"
9' x 7'	35"	10' x 8'	47"
10' x 7'	35"	12' x 8'	48
12' x 7'	32"	14' x 8'	42"
14' x 7'	33"	16' x 8'	43"
16' x 7'	34"	18' x 8'	44"
18' x 7'	34"		

Without the center retractable door

7' Models	Stretch	8' Models	Stretch
6' x 7'	35"	8' x 8'	42"
8' x 7'	36"	9' x 8'	42"
9' x 7'	37"	10' x 8'	43"
10' x 7'	38"	12' x 8'	43"
12' x 7'	32"	14' x 8'	45"
14' x 7'	33"	16' x 8'	47"
16' x 7'	34"	18' x 8'	47"
18' x 7'	35"		

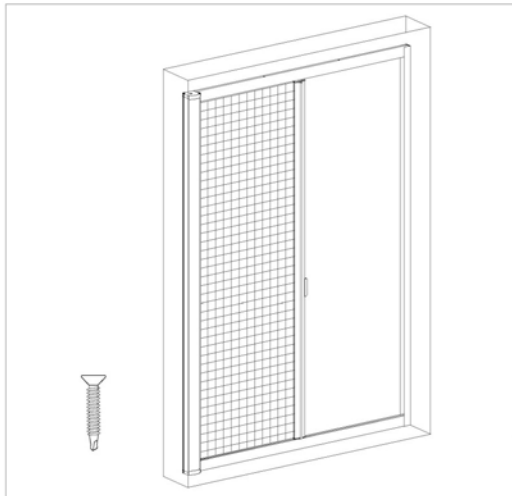
Passage Door Installation Instructions

Lifestyle Screens garage door screens comes standard with the middle passage door. The Door Delete models do not have the middle passage door. If you have a door delete model please skip instruction #25.

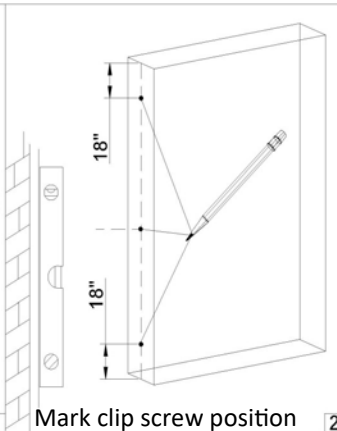
If you have a passage door, you will have one of two types of passage doors: Lift-to-Latch and Milano. Instruction #25a pertains to the Lift-to-Latch passage door and Instruction #25b pertains to the Milano passage door

Installation Instructions Lift-to-Latch Retractable Passage Door

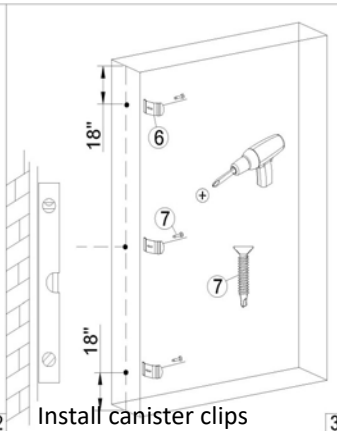
25a



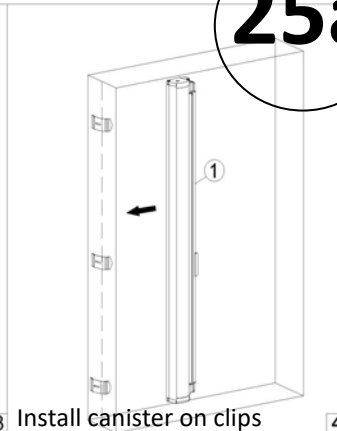
1 Install pull-bar end-caps



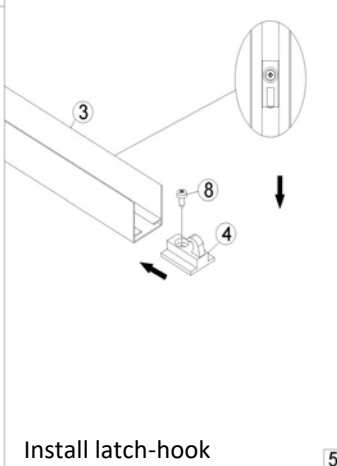
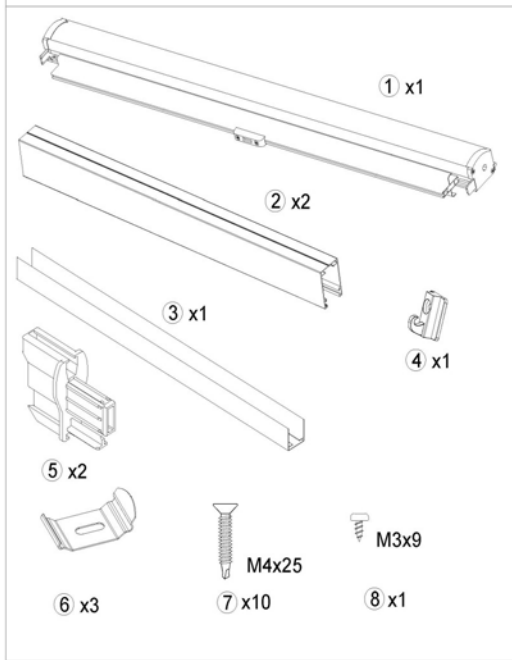
2 Mark clip screw position



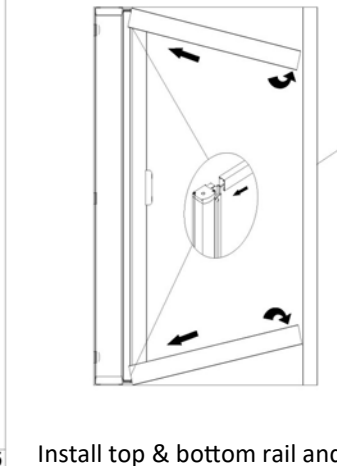
3 Install canister clips



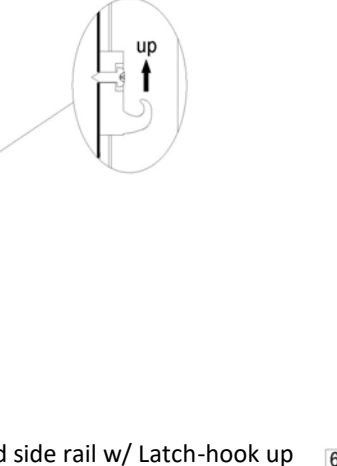
4 Install canister on clips



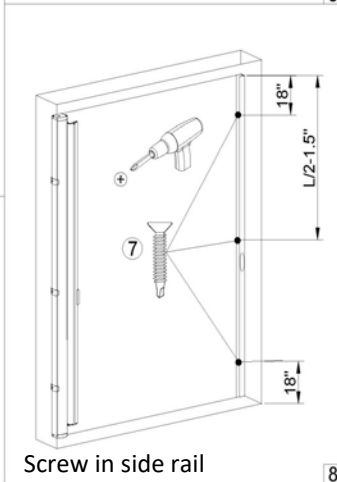
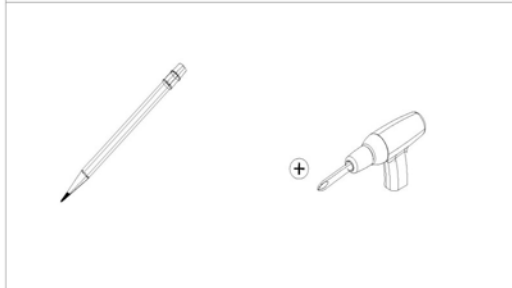
5 Install latch-hook



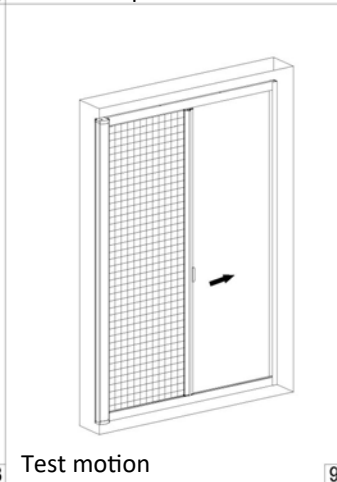
6 Install top & bottom rail and side rail w/ Latch-hook up



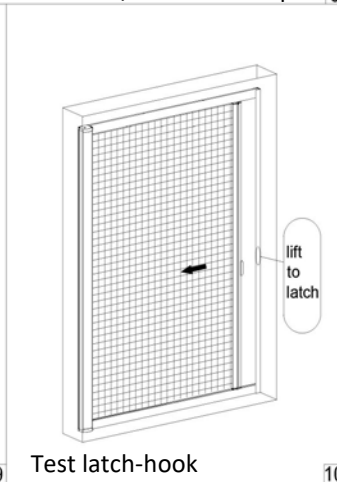
7 Screw in top & bottom rail



8 Screw in side rail



9 Test motion

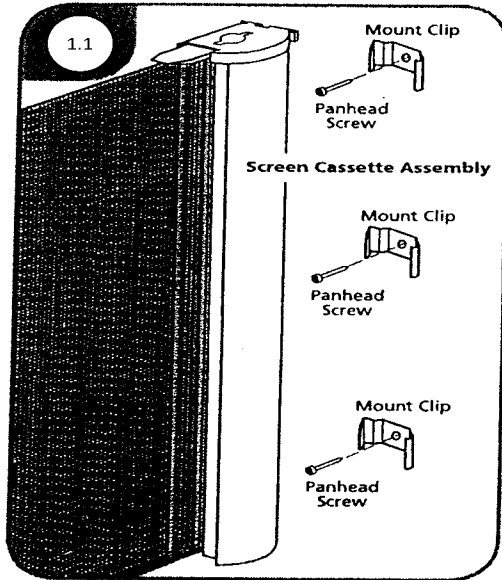


10 Test latch-hook

lift to latch

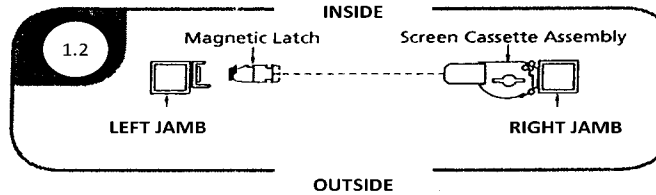
RETRACTABLE SCREEN DOOR **INSTALLATION INSTRUCTIONS**

ALL INSTRUCTIONS ARE BASED ON VIEWING THE SCREEN DOOR FROM THE OUTSIDE LOOKING INTO THE GARAGE



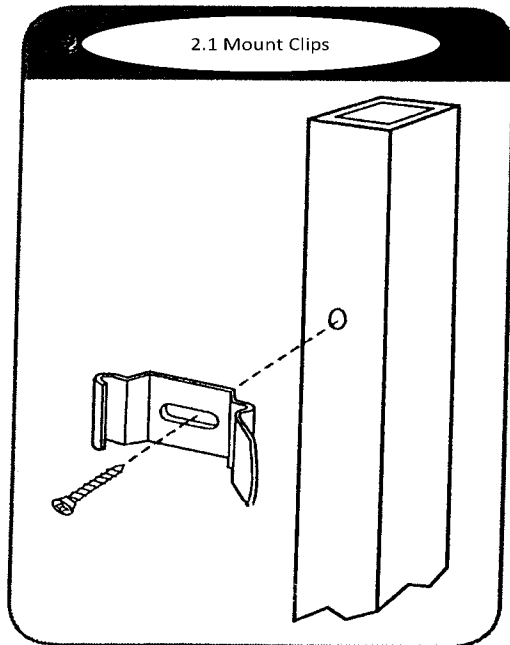
1 MOUNTING

- A. ALWAYS secure the Screen Cassette Assembly to the **RIGHT JAMB** of the doorway bay [1.2]
- B. The **FLAT FACE** of the Screen Cassette Assembly must ALWAYS **FACE INSIDE** [1.2]
- C. The **CURVED FACE** of the Screen Cassette Assembly must ALWAYS **FACE OUTSIDE** [1.2]



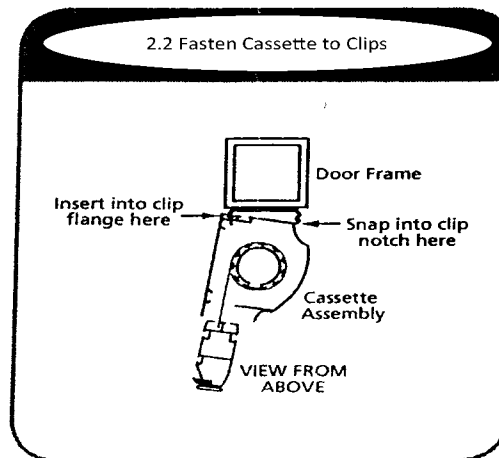
**TOP CROSS SECTIONAL VIEW
RETRACTABLE DOOR**

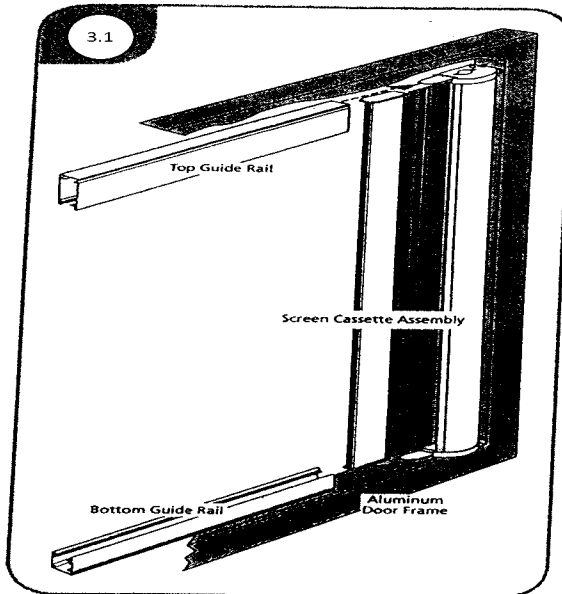
- D. ALWAYS install the Screen Cassette Assembly with the **LARGE END-CAP** of the Magnetic Latch pull-bar at the **TOP** of the doorway.
- E. ALWAYS install the Screen Cassette Assembly with the **SMALL END-CAP** of the Magnetic Latch pull-bar at the **BOTTOM** of the doorway.



2 INSTALLING THE CASSETTE

Using Panhead Screws, install the **Mount Clips** 10" from the top and bottom of the door opening, and one in the center [2.1]. Fasten the **Screen Cassette Assembly** onto the **Mount Clips** [2.2].





3 POSITIONING THE RAILS

There is a decorative groove on one side of the Top and Bottom Guide Rails. This groove should always face outside.

Slide the Top Guide Rail (the wide one) on to the tab of the top end-cap of the Screen Assembly Cassette. Slide the Bottom Guide Rail (the narrow one with weep holes) on to the tab of the bottom end-cap. **To reduce the chance of the screen material fraying by rubbing against the metal edge, be sure to push the guide rails firmly and fully onto the tabs.** [3.1]

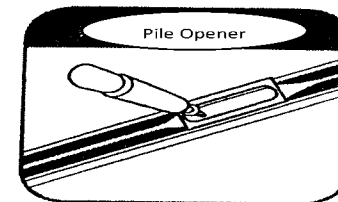
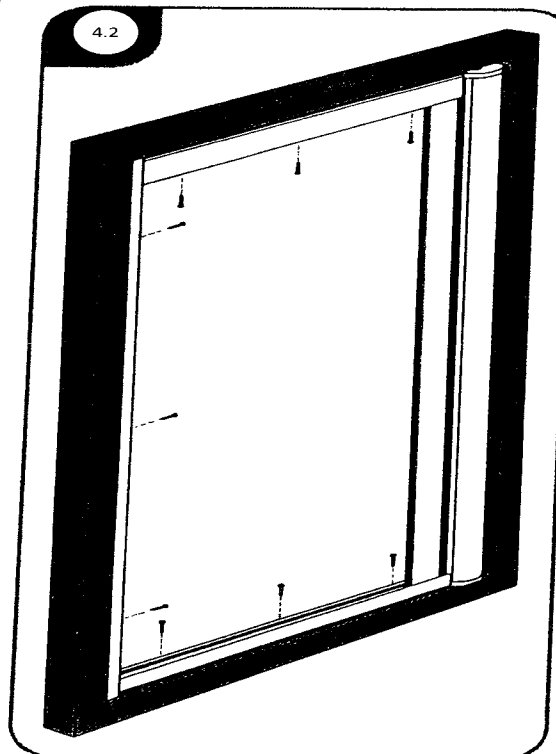
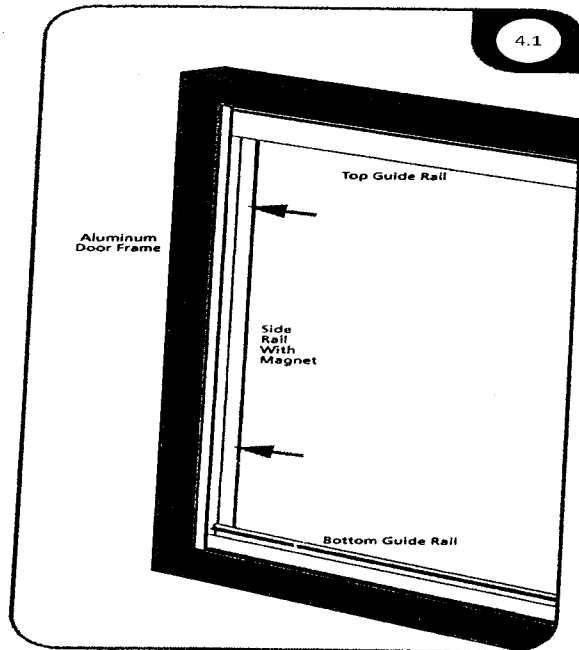
4 POSITION SIDE RAIL WITH MAGNET AND SECURE ALL RAILS WITH SCREWS

The side rail has a long leg and a short leg. The long leg must ALWAYS face outside.

Angle the Side Rail with Magnet behind and over the Top and Bottom Guide Rails, so that both are positioned inside the legs of the Side Rail [4.1].

Secure the three rails with three Panhead Screws each. One screw 6 inches from each end of each rail and one in the middle of each rail.

When installing the Top and Bottom Guide Rails, use the convenient Pile Opener to temporarily separate the two insect piles. This Pile Opener makes for easier viewing, access to and installation of the screws.



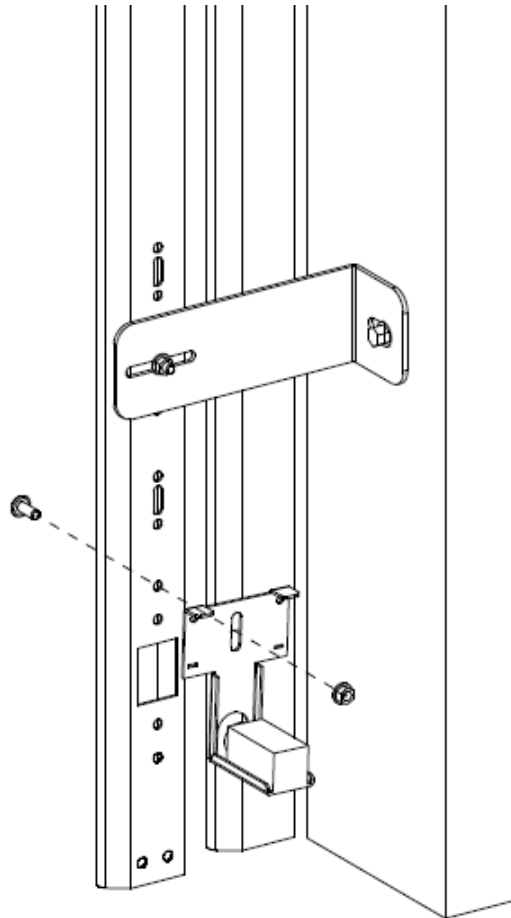
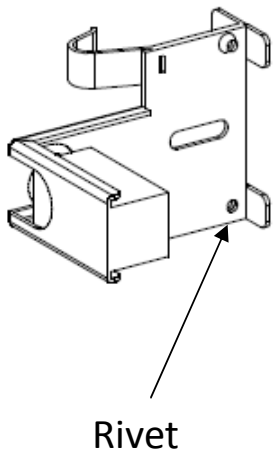
5 Secure Handle, Tighten Set Screws with Allen Wrench

The set screws securing the two Handles to the Magnetic Latch pull bar are loosely tightened at the factory.

Using the Allen wrench supplied with the unit, for each Handle slightly loosen the set screws, move the Handle to the vertical center of the Magnetic Latch pull bar and tighten securely. **DO NOT OVERTIGHTEN OR THE SET SCREWS WILL STRIP.**

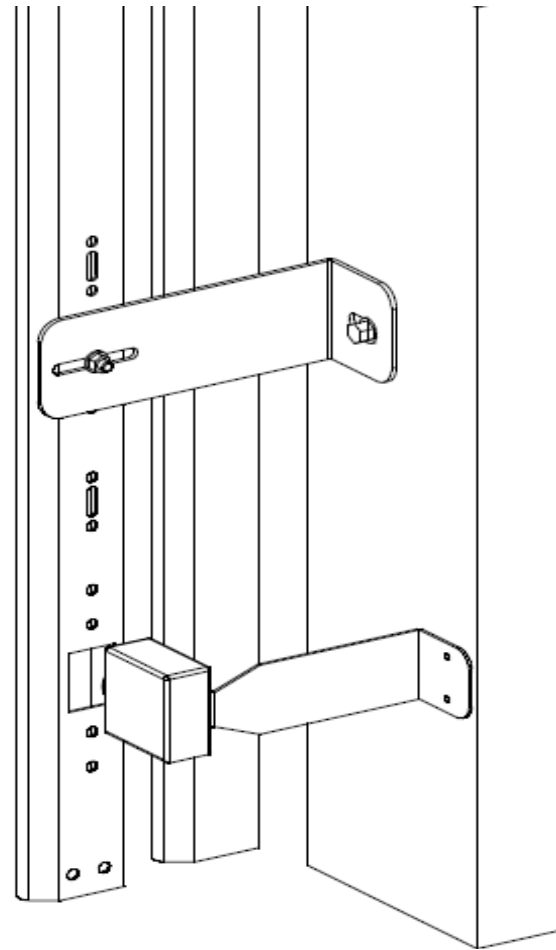
NOTE: LEAVE THE ALLEN WRENCH WITH THE HOMEOWNER SO THAT HE/SHE CAN TIGHTEN THE SET SCREWS IN THE EVENT THAT THEY LOOSEN.

26



Clip-on sensor

26. Remove the clip-on sensor from the primary track. Drill the rivets on sensor with a 1/4" drill bit and remove the clip portions. Bolt the sensor on to the Lifestyle track using a 1/4" x 5/8" track bolt and 1/4" serrated nut found in counter balance bag.



Jamb mount sensor

26. Remove the screws holding the sensor to the jamb. Reposition the sensor so the eye of the sensor is lined up with the knock out hole on the Lifestyle track and re-install screws .

FINAL CHECKS:

Ensure that all nuts and bolts are completely tightened and securely fastened. Ensure that warning decals are properly placed on the Lifestyle screen frame.

For seamless operation, there should be approximately 1" of sideways play in the Lifestyle garage screen frame when it is in the horizontal stored position. When the magnet catch is disengaged from the striker plates on the garage door jamb, the bottom horizontal of Lifestyle screen should automatically rise approximately halfway up the Lifestyle vertical track. If this does not occur, you may have to adjust the spring stretch to achieve this result.

The Milano retractable passage door should move freely from the closed position with the magnets engaged to the open position, complete coiled in the screen canister. If the passage door does not retract fully you may need to ensure that there are the correct number of winds on the screen mandrill. For the 7'H screens, there should be 12 winds on the mandrill and for 8'H screens there should be 14 winds on the mandrill. A video instruction on how to make these adjustments can be found at <http://www.geniusscreens.com/videos/>.

Adjust operator's photo sensors so that beam projects through the gap between the garage door track and the Lifestyle garage screen tracks. There is a knockout slug in the Lifestyle screen track that can be struck from the inside of the track to allow the beam to project through the track. Typically, the distance from the floor to the centerline of the beam is to be no more than 6" from the garage floor. Refer to the operator's instruction manual for correct vertical placement of the photo eyes. Ensure photo eye brackets are secured to prevent accidental dislodging. Operator will not function properly if beam is interrupted.

Check the permanent garage door to make sure it is operating as it should. Check to see if the operator arm needs to be adjusted back into a different position. If this needs to be done, the straight protruding portion of the straight portion of the operator arm that protrudes beyond the curved portion may need to be cut to avoid hitting the screen door or rubbing/ripping the screen material. You will also need to verify that your operator is adjusted properly to pull the garage door up and out of the opening so that the screen door will close securely against the garage opening header. **Important: Please refer to operator instruction manual for proper adjustment parameters. Do not exceed the operator manufacturer's recommendations for safe adjustment of the operator.**

Adjusting the limit settings of the operator: Check the limit settings. Start the operator by pushing the standard wall push button or remote button. Be prepared to activate the button again quickly – per operator's installation/operation manual – or if you see that the door is going to over travel. Adjust the up travel limit so that the door comes to rest 3-4" (7-11 cm) beyond where it normally would without an operator. This is the starting point for the upward travel adjustments. Proceed to adjust the downward travel so that the door closes firmly without putting undue stress to the operator arm.

For operators equipped with safety strips or automatic reversal systems, it may be required to adjust the settings to ensure that the garage door will reverse if it were to make contact with the screen door without damaging either door. **Final adjustment of the operator must comply with operator manufacturer's recommendations. Failure to do so may result in serious injury or death.**

WARNING: IMPROPER ADJUSTMENT OF THE FORCE SENSITIVITY SYSTEM COULD CAUSE ENTRAPMENT, INJURY OR DEATH. SET ADJUSTMENTS FOR ENOUGH FORCE TO OPERATE DOOR RELIABLY, BUT NO STRONGER. CONTACT A SERVICE PROFESSIONAL TO CORRECT ANY BINDING, STICKING OR OTHER GARAGE DOOR PROBLEMS. DO NOT OVER-ADJUST SENSITIVITY SYSTEM TO COMPENSATE FOR A POORLY WORKING GARAGE DOOR.

LIMITED LIFETIME WARRANTY

Advanced Screenworks, LLC (“ASW” or “we”) warrants to the original consumer purchaser (“you” or “your”) that each new Lifestyle Screens product (the “Product”) will be free from defects in material and workmanship for the entire period of time that you own the Product from the date of purchase. The start of the warranty period is the documented date of your purchase of the Product. The warranty herein is made solely to and for your benefit and is non-transferable. The warranty period on a repaired or replaced Product is the remainder of the warranty on the original purchased Product or 30 days, whichever is longer.

The warranty is solely limited to parts. ASW does not warranty the workmanship of the professional installer.

If you discover a defect in material during the warranty period and ASW agrees that the defect exists, ASW will, at its sole option provide you, at no cost to you, with replacement parts for the defective parts. ASW may require proper proof of purchase documentation prior to issuing you a replacement part or Product. We recommend that you visit the Lifestyle Screen website warranty registration page, <http://www.LifestyleScreens.com/warranty-registration.html> to register your Product or fill in the information required on the accompanying registration form and mail to Advanced Screenworks, LLC, Warranty Registration, 955 Patrick Industrial Ct., Winder GA 30680 or e-mail to warranty@advancedscreenworks.com.

To request warranty part replacement, please contact us at (678) 926-9700 or e-mail fax@advancedscreenworks.com

This warranty does not cover any of the following items or conditions:

- Abuse, unreasonable use, improper use, mistreatment or neglect;
- Modification of the original product to achieve functionality other than the intended use;
- Installation performed improperly or by an unauthorized party;
- Ordinary wear and tear including, without limitation, discoloration due to the elements and/or UV radiation;
- Damage or wear to the screen mesh or screen material;
- Damage caused by or to the equipment with which the Product is used;
- Damage caused by improper or faulty building construction or maintenance;
- Any damage caused during installation, maintenance, repair, replacement or removal;
- Damage caused by modification or repair not made or authorized by ASW; and
- Services provided by third-parties other than ASW including, without limitation, service calls, shipping and labor costs.

THIS WARRANTY, TOGETHER WITH THE REMEDIES SET FORTH ABOVE, IS EXCLUSIVE, NON-TRANSFERABLE AND IN LIEU OF ALL OTHERS, WHETHER ORAL OR WRITTEN, EXPRESSED OR IMPLIED. ASW SPECIFICALLY DISCLAIMS ANY AND ALL IMPLIED WARRANTIES AS TO THE PRODUCT. IN PARTICULAR, BUT WITHOUT LIMITATION, ASW SPECIFICALLY DISCLAIMS ANY AND ALL IMPLIED WARRANTIES AND CONDITIONS OF SATISFACTORY QUALITY, MERCHANTABILITY, FITNESS FOR ANY PARTICULAR PURPOSE OR ANY OTHER WARRANTY ARISING FROM A COURSE OF DEALING OR USAGE OF TRADE.

No ASW distributor, reseller, dealer, agent or employee is authorized to make any modification, extension, or addition to this warranty.

ASW is not responsible for special, incidental, indirect, exemplary, punitive, or consequential damages however caused and whether or not ASW was advised of the possibility of such damages, including but not limited to lost wages, lost profits, downtime, pain and suffering or damage to or replacement of equipment and property and any costs of recovery.

This warranty gives you specific legal rights. You may also have other rights which vary from state to state. Some jurisdictions do not allow the exclusion or limitation of incidental or consequential damages or exclusions of implied warranties, so the above limitations or exclusions may not apply to you.

**LIFESTYLE SCREENS
WARRANTY REGISTRATION**

Lifestyle Screens by Advanced Screenworks, LLC recommends that you register your Lifestyle Screens product. You can do this online or by mail.

Online Registration: <http://www.LifestyleScreens.com/Warranty-Registration.html>

MAIL TO: Advanced Screenworks, LLC or e-mail to: Warranty@AdvancedScreenworks.com
Warranty Registration
955 Patrick Industrial Ct.
Winder, GA 30680

YOUR NAME: _____

YOUR ADDRESS: _____

YOUR CITY, STATE, ZIP: _____

Your Telephone: _____

Your E-mail Address: _____

Date Purchased: _____

Installing Dealer: _____

Dealer Telephone: _____

Screen Size: (circle one): Golf Cart
8'x7' 9'x7' 10'x7' 16'x7' 18'x7'
8'x8' 9'x8' 10'x8' 16'x8' 18'x8'
Other

Frame Color: (circle one): White Brownstone Sandstone Other

Screen Type: (circle one): Standard White Privacy Black Superscreen Other

Other Comments: _____

